

Ref. : VOC 4240-00.pas

Rev. : Initial

Date : 08/10/2008

Page : 1/1

# RESILIENT SEAT GATE VALVE PN10/16 LONG PATTERN

## VOC 4240-00



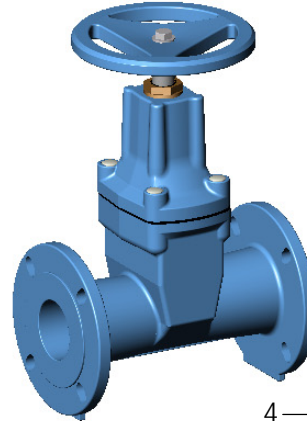
ROBINETTERIE INDUSTRIELLE ET ACCESSOIRES  
INDUSTRIAL VALVES AND ACCESSORIES

### APPLICATION

General use : Water supply, fire protection, irrigation, water treatment

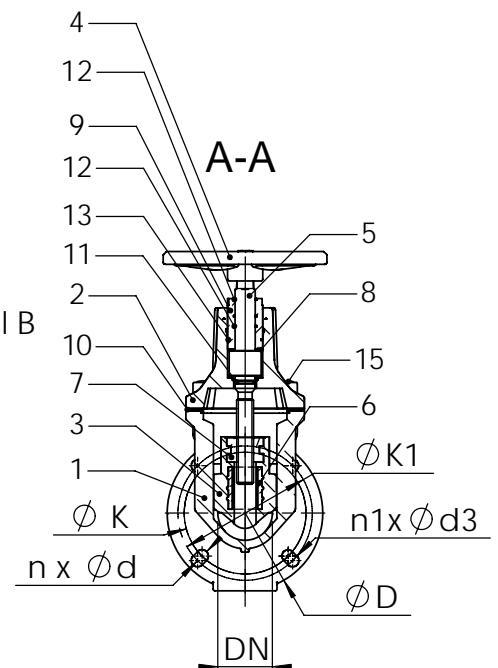
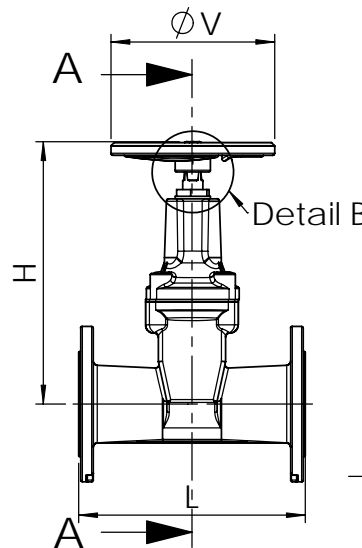
### GENERAL CHARACTERISTICS

- Design in accordance to standard NF EN 1171.
- Range : from DN 40 to DN 400 in standard, contact us for other dimensions.
- Non rising stem.
- Clockwise to close or anti clockwise to close.
- No zones of retention.
- Low head losses.
- Bonnet with easy adaptation for actuator.
- Protection with paraffin on bolts.



### CONSTRUCTION

Pos.	Qty.	Description	Material
15	4	Screw caps	Paraffin
14	4	Screw	Stainless steel
13	1	Bottom shield	EPDM
12	2	O-ring stem	EPDM
11	1	Seal o-ring	EPDM
10	1	Bonnet gasket	EPDM
9	1	Top cork	Brass
8	1	Splindle washer	Nylon
7	1	Splindle nut	Brass
6	1	Wedge seat	Brass
5	1	Stem	Stainless steel 416
4	1	Handwheel	Ductile iron EN-GJS-400-15 DIN : GGG 40 ASTM : A536 65-45-12 BS : EN 1563 EN-JS 1030
3	1	Wedge	Ductile iron EN-GJS-400-15 DIN : GGG 40 ASTM : A536 65-45-12 BS : EN 1563 EN-JS 1030
2	1	Bonnet	Ductile iron EN-GJS-400-15 DIN : GGG 40 ASTM : A536 65-45-12 BS : EN 1563 EN-JS 1030
1	1	Body	Ductile iron EN-GJS-400-15 DIN : GGG 40 ASTM : A536 65-45-12 BS : EN 1563 EN-JS 1030



### DIMENSIONS

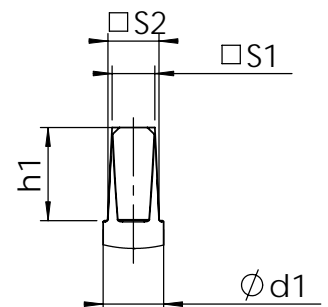
DN		L	H	Ø V	Ø D	Ø K (PN10)	n x Ø d (PN10)	Ø K1 (PN16)	n1 x Ø d3 (PN16)	Ø d1	S1	S2	h1	Weight (kg)
mm	inch													
40	1" 1/2	240	245	200	150	110	4 x Ø19	110	4 x Ø19	20	14,0	17,0	29	-
50	2"	250	245	200	165	125	4 x Ø19	125	4 x Ø19	20	14,0	17,0	29	13,2
65	2" 1/2	270	305	240	185	145	4 x Ø19	145	4 x Ø19	24	17,3	20,5	31	17,3
80	3"	280	340	240	200	160	8 x Ø19	160	8 x Ø19	24	17,3	20,5	31	23,5
100	4"	300	375	280	220	180	8 x Ø19	180	8 x Ø19	26	19,3	23,0	38	26,5
125	5"	325	410	320	250	210	8 x Ø19	210	8 x Ø19	26	19,5	23,0	38	34,3
150	6"	350	465	320	285	240	8 x Ø23	240	8 x Ø23	32	19,0	23,0	38	60,0
200	8"	400	550	360	340	295	8 x Ø23	295	12 x Ø23	32	24,0	28,5	42	96,3
250	10"	450	650	450	400	350	12 x Ø23	355	12 x Ø28	36	27,5	31,5	45	137,3
300	12"	500	720	500	455	400	12 x Ø23	410	12 x Ø28	36	27,5	31,5	45	-
350	14"	550	805	500	505	460	16 x Ø23	470	16 x Ø28	36	27,5	31,5	45	-
400	16"	600	877	600	565	515	16 x Ø28	525	16 x Ø31	36	27,5	31,5	45	-

### WORKING CONDITIONS

Maximum working pressure : 16 bar.  
Maximum temperature : -10°C / +130°C.

### STANDARDS

Test procedures are established according to standard NF EN 12266-1, NF EN 12266-2, DIN 3230, ISO 5208.  
Face to face according to standard EN 558-1 serie 15 and DIN 3202 / F5 (long pattern).  
Connections according to standard EN 1092-2 ISO PN10 and ISO PN16.



Detail B (Stem) :  
Mounting interface