

Ref. : V 4246.pas

Rev. : Initial

Date : 04/03/09

Page : 1/1

# GATE VALVE WITH FLANGES PN16

## V 4246



**Tecofi**  
FAREX FLUID SOLUTION DESIGNER

### APPLICATION

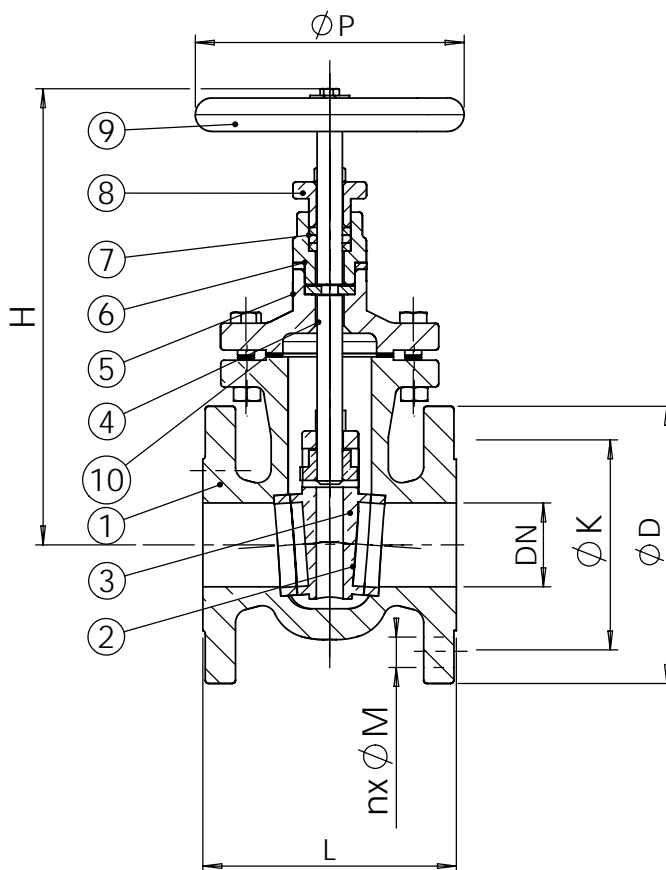
Cutting fluid, simple industrial installation.  
Central heating cold water low pressure.

### GENERAL CHARACTERISTICS

Ductile iron body, copper alloy seat.  
Operating by handwheel - Non rising stem.  
Flanged ends - PN 16.

### CONSTRUCTION

10	1	Bonnet Gasket	Graphite	
9	1	Handwheel	Cast iron GG25	DIN: GG 25 ASTM: A48 Class 40B BS: 1452 Grade 250
8	1	Packing gland	Ductile iron GGG50	DIN: GGG 50 ASTM: A536 65-45-12 BS: 1563 EN-JS1030
7	1	Packing	Graphite	
6	1	Gasket	Graphite	
5	1	Bonnet	Ductile iron GGG50	DIN: GGG 50 ASTM: A536 65-45-12 BS: 1563 EN-JS1030
4	1	Stem	Stainless Steel 416 X12CrS13	DIN: 1.4005 ASTM: AISI 416 BS: 416 S21
3	1	Wedge	Ductile iron / Copper alloy GGG50 / CuZn39Pb2	DIN: GGG 50 / CuZn39Pb2 ASTM: A536 65-45-12 / C37700 BS: 1563 EN-JS1030 / 12164 CZ121
2	2	Seat	Copper alloy	
1	1	Body	Ductile iron GGG50	DIN: GGG 50 ASTM: A536 65-45-12 BS: 1563 EN-JS1030
Rep. Pos.	Nb. Qty.	Description	Material	



### DIMENSIONS

DN		L	Ø D	Ø K	n x Ø M	H	Ø P	Weight (kg)
mm	inch							
40	1" 1/2	140	150	110	4 x Ø19	245	130	8,7
50	2"	150	165	125	4 x Ø19	255	130	10,8
65	2" 1/2	170	185	145	4 x Ø19	277	130	12,8
80	3"	180	200	160	8 x Ø19	303	150	16,6
100	4"	190	220	180	8 x Ø19	340	185	22,8
125	5"	200	250	210	8 x Ø19	387	185	32,1
150	6"	210	285	240	8 x Ø23	454	195	42,9
200	8"	230	340	295	12 x Ø23	538	225	71,3
250	10"	250	405	355	12 x Ø28	629	245	98,0
300	12"	270	460	410	12 x Ø28	730	285	145,2

### WORKING CONDITIONS

Maximum working pressure : 16 bar.  
Maximum temperature : -10°C / +120°C.

Pressure test according to standards  
EN 12266-1, DIN 3230, BS 6755 and ISO 5208 :  
Body : 24 bar.  
Seat : 17,6 bar.

### STANDARDS

Face to face according to standards EN 558-1  
serie 14 and DIN 3202/1 F4 short pattern.  
Flanges drilled according to standards EN 1092-2  
and DIN 2501 : ISO PN 16.

Parc Technoland - 2 Allée du Lazio 69800 Saint Priest - FRANCE  
Tél. +33 (0) 4 72 79 05 79 - Fax +33 (0) 4 78 90 19 19 / +33 (0) 4 72 79 05 70  
E-mail : tecofi@tecofi.fr - Service commercial / Sales dep. : sales@tecofi.fr - www.tecofi.fr